



Line for production of hydraulic tubes

Blumenbecker Prag s. r. o.
CZ – 108 03 Praha 10 • Počernická 96
Tel. (+420) 296 411 630
Fax (+420) 296 411 620
Mail: fuchs@blumenbecker.cz
<http://www.blumenbecker.cz>

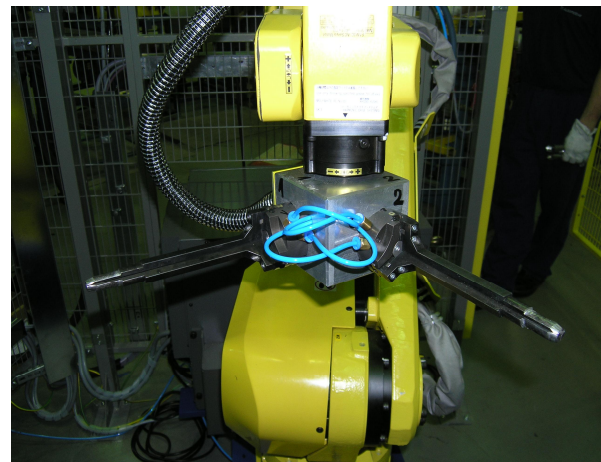
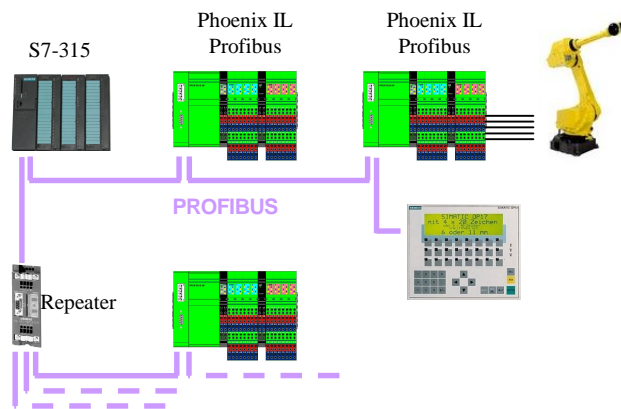
Investor	TI Automotive AC s.r.o., Jablonec nad Nisou, Czech Republic
Realization	2006
Machine delivery	AP s.r.o., Mladá Boleslav, Czech Republic
Workplace specification	§ 3x robot FANUC Mate 100iBe
Control system	§ SIMATIC S7-315DP § 3x operating panel OP77 § Remote I/O's PHOENIX CONTACT type InLine § Filed bus PROFIBUS



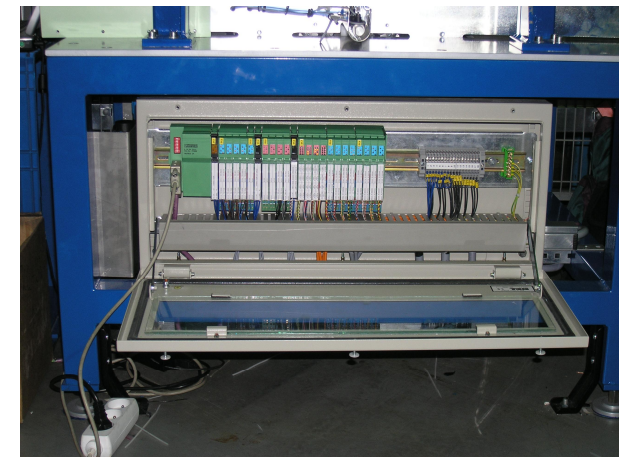
Operating panels of the line and robot



General view on the workplace



Gripper



Rack with I/O's