



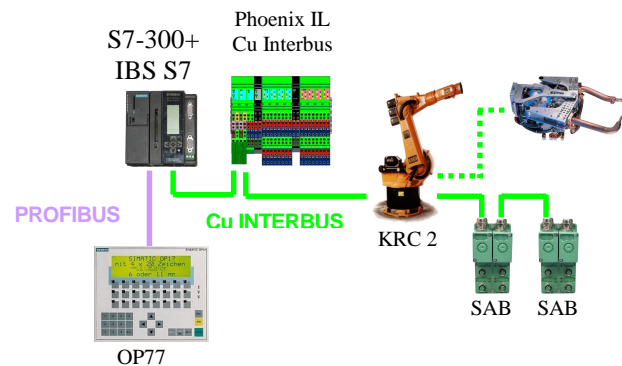
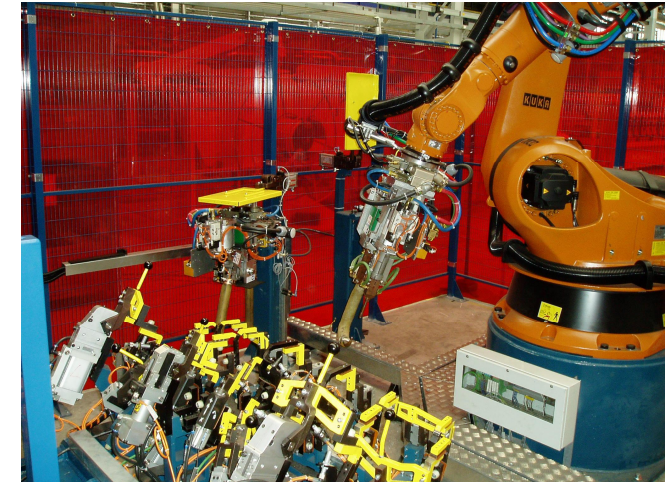
# Welding workplace – Frames subsets of the doors Škoda A05 - Roomster

Blumenbecker Prag s. r. o.  
 CZ-108 03 Praha 10 • Počernická 96  
 Tel. (+420) 296 411 630  
 Fax (+420) 296 411 620  
 Mail: fuchs@blumenbecker.cz  
<http://www.blumenbecker.cz>

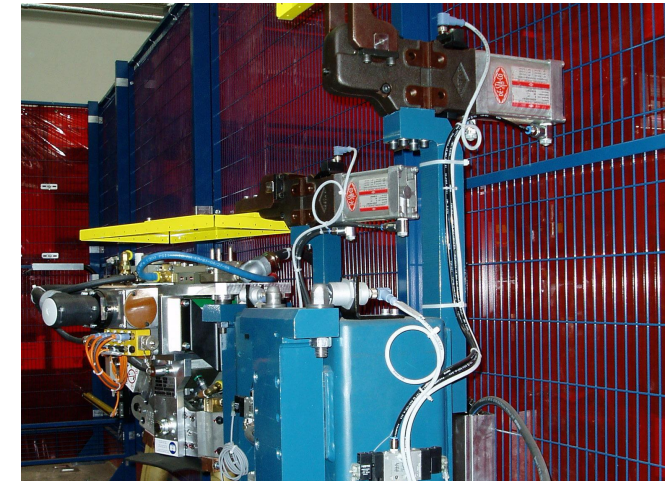
<b>Investor</b>	WAGON Automotive, Bělá pod Bezdězem, Czech Republic
<b>Realization</b>	2005
<b>Machinery delivery</b>	KOPR Ltd., Prague, Czech Republic
<b>Workplace specification</b>	<ul style="list-style-type: none"> <li>§ Robot KUKA KR140</li> <li>§ Turntable WEISS with MF</li> <li>§ Resistance-welding machine JESVA</li> <li>§ Safety gate NOMAFA</li> </ul>
<b>Control system</b>	<ul style="list-style-type: none"> <li>§ SIMATIC S7-314, KUKA KRC2</li> <li>§ Operating panel OP77</li> <li>§ I/O's SAB, InLine of PHOENIX CONTACT</li> <li>§ Field bus INTERBUS, PROFIBUS</li> </ul>



General view on the workplace



Welding jig



Speed exchange of welding tongs